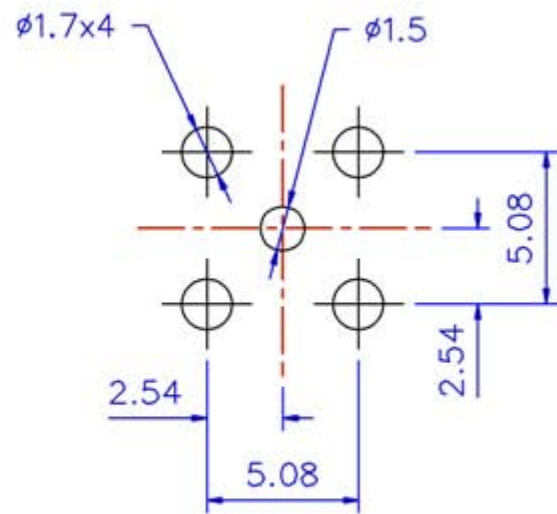
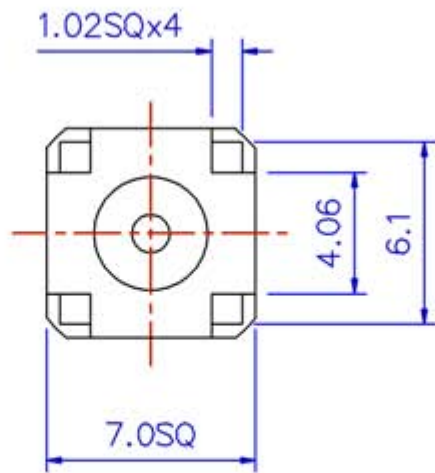
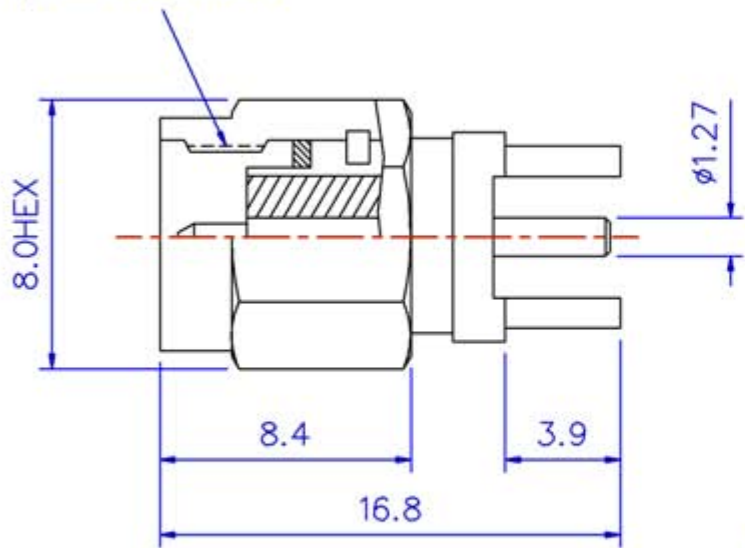


1/4-36 UNS-2A



LIH YEU SHENG Industries Co., LTD

Recommended PCB Holes